

CONDOR
220/350

Life
made
easy



CONDOR 220/350

Technical features



Die-cast aluminium motor support with easily accessible onboard control unit

Manual unlocking system with key and aluminium handle

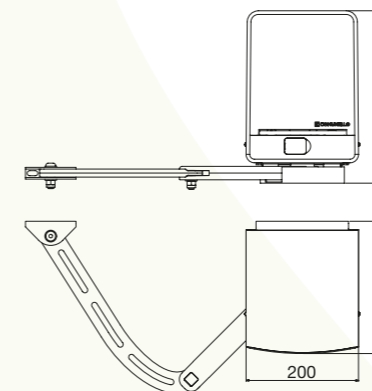
Anti-shearing arm in die-cast alloy



CONDOR 220 230V
up to 2,2 m

CONDOR 350 24V
up to 3,5 m

DIMENSIONS (mm)



TECHNICAL CHARACTERISTICS

	CONDOR 220 24V	CONDOR 350 24V
Voltage	24 VDC	24 VDC
Power consumption	110 W	110 W
Max. absorption	5 A	5 A
Max. thrust	150 Nm	150 Nm
Duty cycle	50%	50%
Protection degree (IP)	IP44	IP44
Insulation class	2	2
Working temperature	-20°C / +50°C	-20°C / +50°C
No-load speed	0,10 rad/s	0,10 rad/s
Weight	10 kg	12 kg



Every single product is duly tested at the end of each assembly line



COMUNELLO

AUTOMATION

AUTOMATION FOR GATES, DOORS AND BARRIERS

FRATELLI COMUNELLO S.P.A.

HEADQUARTERS

Via Zarpellon, 33

36027 San Giuseppe di Cassola, Vicenza, Italy

Tel. +39 0424 585111 Fax +39 0424 533417

info@comunello.it www.comunello.com

REGISTERED OFFICE

Via Cassola,64 - C.P.79

36027 Rosà, Vicenza, Italy

Tel. +39 0424 585111 Fax +39 0424 533417

info@comunello.it www.comunello.com